

BYRNE

Naica®



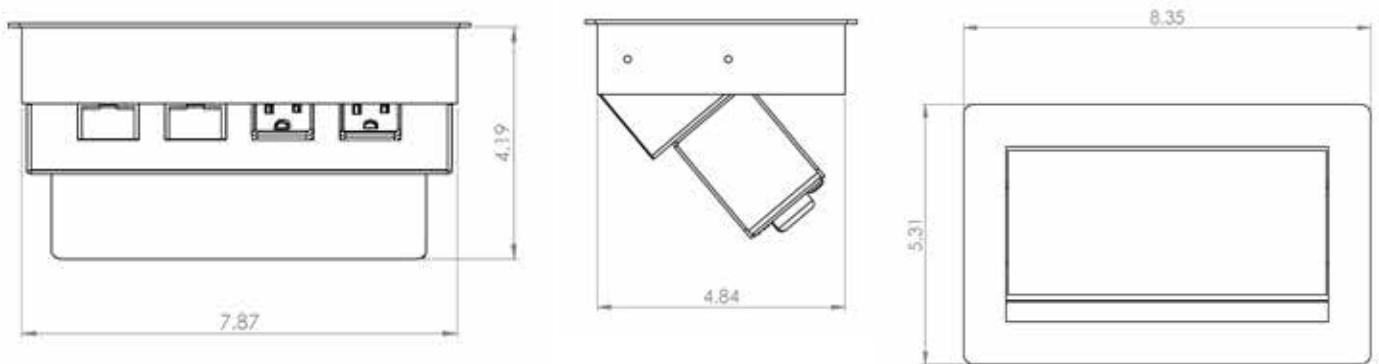
OVERVIEW

Naica has many of the same concealable power, USB and data options as Ellora, but with cost conscious features that make it the right solution for every project.

* Image shown: 4 window unit in black powder coat with 2 black simplexes and 2 open ports.

SPECIFICATIONS

* Image depicts a 4 Window Naica with 2 power and 2 open ports.



CUT OUT DIMENSION

WINDOWS	LENGTH	WIDTH
4 Window	7.87"	4.84"

Min Surface Depth

0.5"

Max Surface Depth

1"

POWER ENTRY OPTIONS

CORDED

72" to 120" with 3-pole outlet.

CODES

NEW YORK

The corded Naica can be used in New York City as per the New York City Electrical Code.

CHICAGO

The Corded Naica can be used on listed freestanding furnishings in Chicago. Limitations apply.

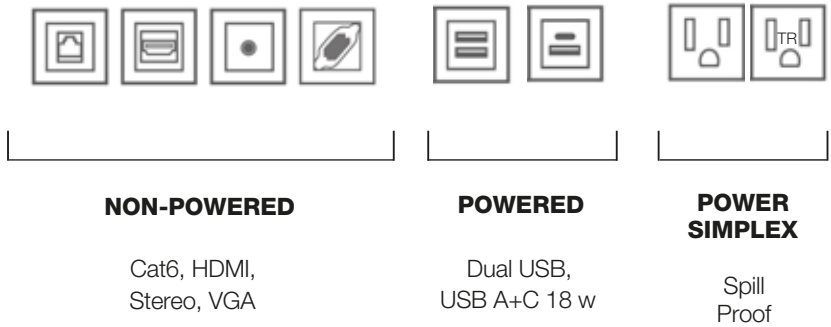
CONFIGURATIONS SIZE

Naica offers 4 ports as shown. Each window can hold a variety of power or data options.



INTEGRATED TECHNOLOGIES

The power simplexes must be grouped together and installed at the right end of this product. Technologies requiring power must immediately follow.



FINISHES

Naica is offered in 3 powder coated colors Black, White and Silver. The power and data options are molded plastic in black and white accordingly with face plate finishes. The inside faceplate is white or black.

POWDER COATED STEEL HOUSING AND GROMMET

- Matte Black Powder Coated
- Matte Silver Powder Coated
- Matte White Powder Coated

INSIDE FACEPLATE

- Matte Black Powder Coated
- Matte White Powder Coated

PLASTIC SIMPLEXES, WINDOW FRAMES AND END CAPS

- Matte Black Molded Plastic
- Matte White Molded Plastic