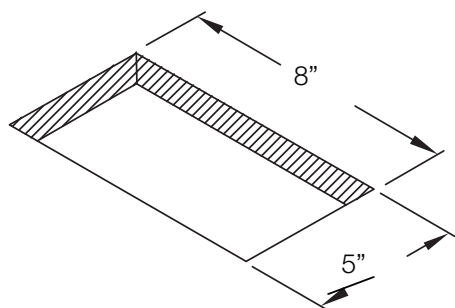


BYRNE™

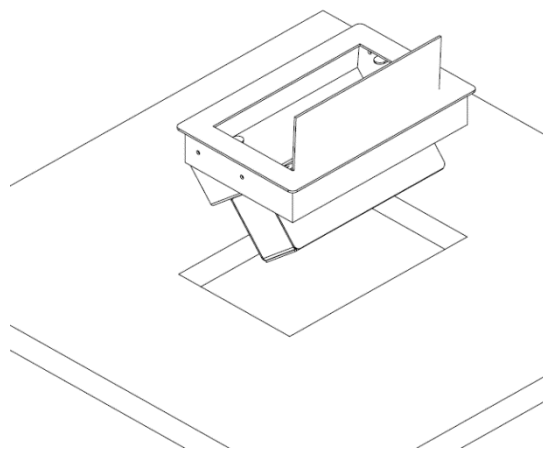
INSTALLATION INSTRUCTIONS FOR NAICA

The box contains an adapters kit in case it is required.
The box includes 2 clips for the accessory's assembly.
The clips must be attached to the base ends of the accessory.

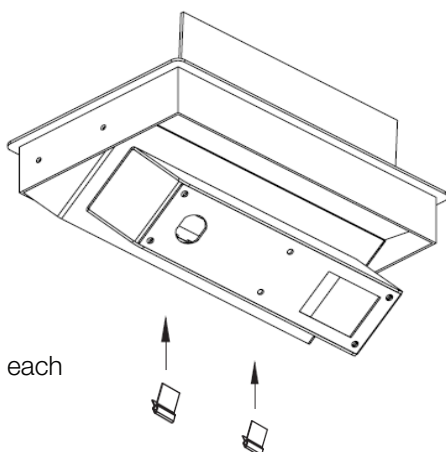
Cut out dimension



1.



2.



Attach 1 clips, at each end of unit base.

3.

